

## Description

The AW-D306HW Addressable Sounder Beacon(Waterproof) can give audible and visual alarms after being connected to a bus loop. It can be used with a bus-type fire alarm control panel.

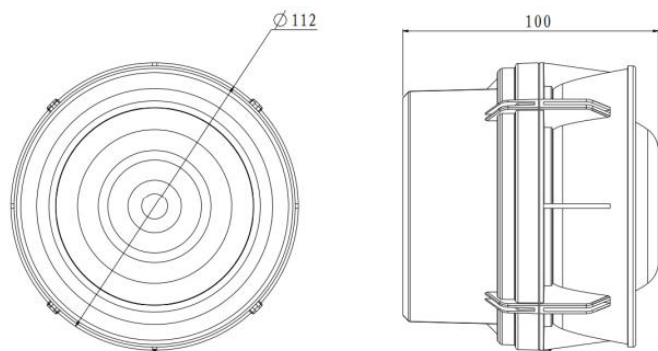
It may be used to give audible alarms at the scenes of accidents. It can be used especially in outdoor or other harsh environments.



## Features

- ✓ Choice of up to 7 tone modes
- ✓ Adopting independent base
- ✓ Full electronic coding
- ✓ Setting Sounder Beacon working mode freely
- ✓ Adopting multiple ultra-high brightness light-emitting diodes as the light source of the light display
- ✓ Tamper-evident function
- ✓ Available in red and white colour options
- ✓ Protection rating up to IP65.
- ✓ Available for outdoor use

## Dimensions(mm)



## Technical Specification

Executive standard	EN54-3 (Type B)
Working voltage	DC24V (allowance: DC22V~28V)
Power consumption	≤0.29W@DC24V
Working current	Stand by current: <0.8mA, Alarm current: 1mA~12mA
Wiring method	non-polarity, two cables
Operating environment	Indoor, temperature: -25°C~+70°C; Relative humidity: ≤95% (40°C±2°C, without condensation)
Flash Rate	1~1.5Hz

Maximum sound output	$\geq 104\text{dB(A)}@1\text{m(Tone2@90}^\circ \text{)}$
Tone type	7User-Selectable Tones(EN54-3 approved for tone2 Only)
Material Lens/Body	Flame retardant PC/ABS
IP Rating	IP65(Waterproof connect or required)
Weight	About 216g(with base)
Overall dimensions	100×112×133(mm)(With Base)